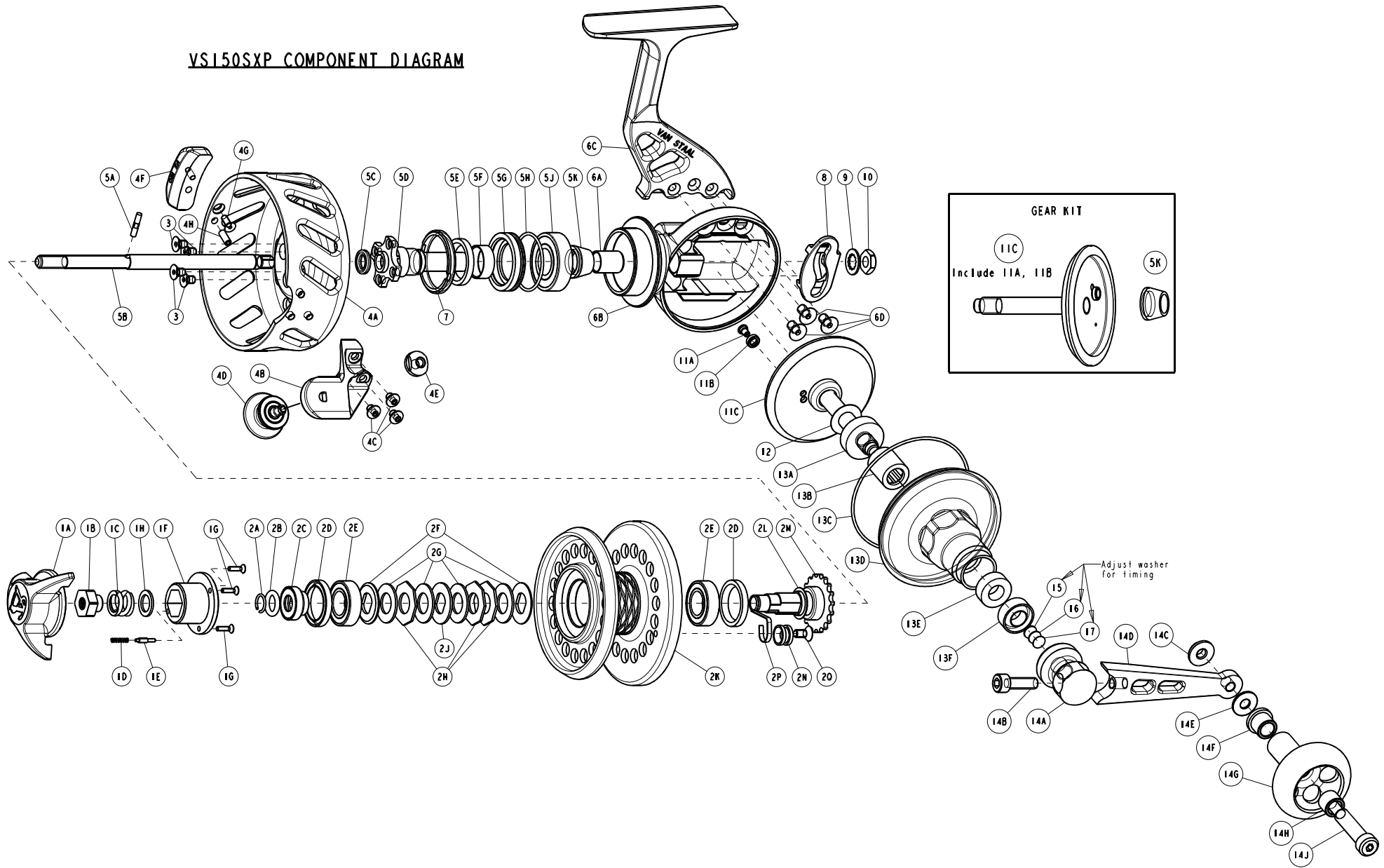


VSI50SXP COMPONENT DIAGRAM



Van Staal VS150SXP Part List

Key No.	Description	Part No.	Q'TY	Key No.	Description	Part No.	Q'TY
		VS150SXP				VS150SXP	
1	Drag Knob Assembly (Kit) include	VS41006-01	1	5G	Seal Carrier	SR1072	1
	1A - Drag Knob	VS1006-10	1	5H	O-Ring	ORR8	1
	1B - Drag Nut	VS1027-01	1	5J	Ball Bearing	DP058-02	1
	1C - Drag Spring	VS1054-01	1	6	Body Assembly (Kit) include	SR1000S-1	1
	1D - Drag Click Spring	VS049-01	1		6A - Body Bushing	SR1016-02	1
	1E - Drag Click Pawl	VS149-01	1		6B - Body	SR1000S	1
	1F - Drag Knob Cap	VS1026-01	1		6C - Reel Foot	SR1004S	1
	1G - Drag Knob Cap Screw	SCFH15	3		6D - Reel Foot Screw	SCFH3	3
	1H - Drag Knob Washer	VS035-01	1	7	Transmission Lock Ring	SR1055P	1
2	Spool Assembly (Kit) include	SR1503S-1	1	8	Travers Guide (O/S Slider)	VS1017-01	1
	2A - Retainer Ring	SR1041	1	9	Teeth Washer	WSLCIT1	1
	2B - O-Ring	ORR10	1	10	Spool Shaft Nut	NTHX1	1
	2C - Spool Retainer	VSB1024-B	1		Gear Kit	SR41009-02	1
	2D - Cup Seal	OSPR6	2		5K - Pinion Gear		
	2E - Ball Bearing	CP058-03	2		11C- Main Gear assembly include 11A, 11B)		
	2F - Drag "D" Washer - Chamfered	SR1036	2	11A	Roller Guide Sprindle	SR1023	1
	2G - Drag Disc	SR1038-1	4	11B	Roller Guide	SR1022	1
	2H - Drag Key Washer - Octagon	SR1039	3 (2)	12	Shim Washer - 0.002	SR1175	1
	2J - Drag "D" Washer	SR1037	1		Shim Washer - 0.005	SR1275	1
	2K - Spool	SR1503S	1		Shim Washer - 0.010	SR1375	1
	2L - Compansation Washer	SR1076	1	13	Body Cover Assembly (Kit) include	SR1002S-1	1
	2M - Spool Hub	VSB1040P	1		13A - Ball Bearing	BGRS12-B	1
	2N - Spool Clicker Base	SR1057P	1		13B - Roller Clutch	BGRC2	1
	2P - Spool Clicker	SR1058P	1		13C - O-Ring	ORR9	1
	2Q - Spool Clicker Screw	SCFH2	1		13D - Body Cover	VSB1102S	1
	3	Rotor Screw	SCFH6		4	13E - Ball Bearing	BGRS90-B
4		Rotor Assembly (Kit) include	SR1501S-1		1	13F - Cup Seal	OSPR5
	4A - Rotor	SR1501S	1	14	Handle Assembly (Kit) include	SR1005S-1	1
	4B - Line Roller Bracket	SR1519S	1		14A - Handle Hub (Stand)	SR1014S	1
	4C - Line Roller Bracket Screw	SCBH1	3		14B - Handle Screw	SCSHC8	1
	4D - Line Roller Assembly	SR3020-1	1		14C - Handle Knob Nut	SR1060P	1
	4E - Line Roller Spindle Nut	SR3028P	1		14D - Handle Arm	SR1005S	1
	4F - Counter Weight	SR1559P	1		14E - Handle Washer	SR1078	1
	4G - Counter Weight Screw	SCFH1	1		14F - Handle Knob Bushing - Flanged	SR1030	1
	4H - Counder Weight Pin	PIRL1	1		14G - Handle Knob	SR1008S	1
5A	Spool Shaft Pin	FH042	1		14H - Handle Knob Bushing	SR1029	1
5B	Spool Shaft	VS1010-01	1		14J - Handle Knob Spindle	SR1020P	1
5C	Spool Shaft O-Ring	ORQ3	1		15	Timing Washer 0.5	DA082-02
5D	Sleeve Guide	SR1012	1	16	Timing Washer 0.3	DA082-03	1
5E	Cup Seal	OSPR6	1	17	Timing Washer 0.1	DA082-04	1
5F	Seal Sleeve	SR1021	1				